



Floor spring BTS 84

The economic double action floor spring

Special shallow design optional hold-open.

The dormakaba BTS 84 is a double action floor spring which has been specially developed for the aluminium and toughened glass door industries. This unit is intended to complement our internationally acclaimed RTS concealed overhead door closer by giving the shop fitting industry the option of a dormakaba quality floor spring designed for their particular purpose. The BTS 84 has many of the features of the other dormakaba BTS closers with the addition of reduced depth and an array of accessories designed for the aluminium door fabricator and toughened glass door manufacturer.

Certified to ISO 9001.

For the trade

- Outstanding value for money
- Also available with stronger and weaker springs for special requirements.

For the installer

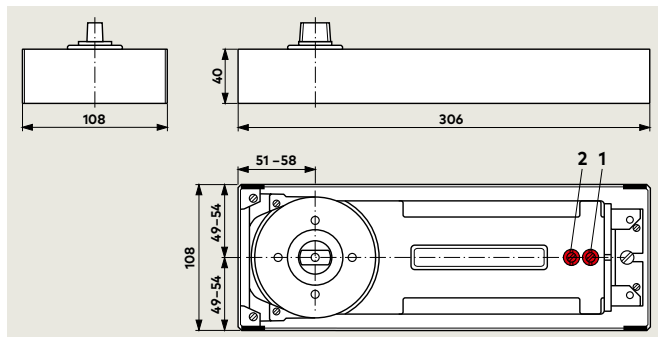
- Easy installation thanks to shallow design.
- Easy to adapt to individual requirements with dual valve control 130° to 0° and 130° to 20°.
- Interchangeable spindle inserts available to suit site conditions.

For the architect/specifier

- Concealed unit for invisible
- Minimum floor recess dimension.
- Concealed unit for invisible installation.

For the user

- Thermoconstant smooth operation.
- High mechanical efficiency for easy door opening.
- Optional single point hold-open.



Technical Data	BTS 84		
	EN 2	EN 3	EN 4
Spring strength			
Standard and external doors ^{1) 2)}	≤ 850 mm	●	-
	≤ 950 mm	-	●
	≤ 1100 mm	-	●
Closing speed variable by valve adjustment		●	
Backcheck		-	
Delayed action		-	
Hold-open point 90°		○	
Weight in kg, approx.		5,0	
Dimensions in mm	Length	306	
	Width	108	
	Height	40	
Door closer tested to EN 1154		●	
CE mark for building products (products with factory-fitted hold-open do not carry a CE mark)	-	●	●

● Yes – No ○ Option

¹⁾ For applications involving particularly high or heavy doors, and doors which have to close against wind or draught conditions, the next larger closer size or the dormakaba BTS 80 should be selected.

²⁾ Max. opening 130°.

Door stop necessary for doors which can open further than 130°.

- 1 Valve for closing speed adjustment 130° – 0°
- 2 Valve for increasing closing speed 130° – 20°

Universal cover plate

Available in stainlesssteel or satin brass.

Standard and optional functions

Closing ranges

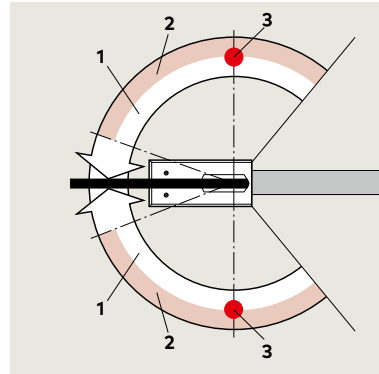
The floor spring has two controlled closing ranges:

Valve 1: 130° – 0° sweep

Valve 2: Increases the closing speed between 130° and 20°.

Hold-open

Hold-open with the hold-open (optional extra), the door can be held at an angle of 90°.



- 1 First adjusting closing range (130° – 0°)
- 2 Second adjusting closing range (130° – approx. 20°)
- 3 Hold open at 90° (optional extra)

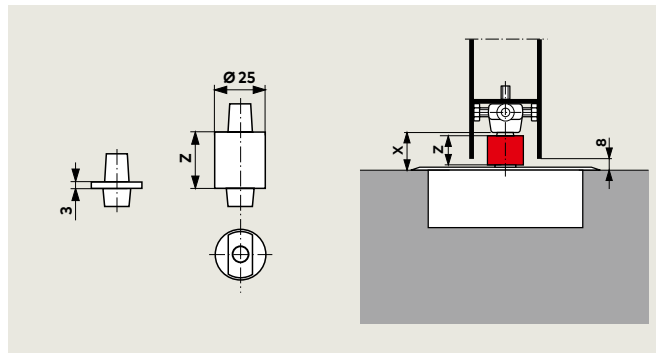
Accessories

Applications and fixing instructions, door straps and top centres

See Technical Information "Floor spring accessories".

dormakaba 2300 Sealing Compound

For filling the cavities between the floor spring body and the cement box to prevent moisture penetration (mandatory according to e.g. VOB regulations for wet rooms).



Note

Closer and bottom strap must be installed per fixing instructions for door clearances shown to be valid. Closers with extended spindle inserts are used with

carpeted floors, terazzo pans or in cases where more clearance between door and floor is required. Surface finish: Zinc plated.

Extended spindle insert

Spindle Extension (mm)	Dimension "X" (Door Clearance) (mm)
Standard	8.0
5.0	13.0
7.5	15.5
10.0	18.0
12.5	20.5
15.0	23.0
20.0	28.0
25.0	33.0
30.0	38.0
35.0	43.0
40.0	48.0
45.0	53.0
50.0	58.0

Standard equipment and accessories

		normal	Extended spindle inserts (extension in mm)												Universal cover plate Stainless steel	Sealing compound 2300 0,5 kg		
			0	5	7,5	10	12,5	15	20	25	28	30	35	40			45	50
Floor spring BTS 84 including cement box and standard spindle insert	Floor spring BTS 84 including without cement box	45200401	45200402	45200403	45200404	45200419	45200405	45200406	45200407	45200414	45200408	45200409	45200410	45200411	45200412	46700022	46700023	45090086

Standard

EN 2 81125002	EN 2 81125001	△	△	△	△	△	△	△	△	△	△	△	△	△	△	△	△	△
EN 3 81110002	EN 3 81110001	△	△	△	△	△	△	△	△	△	△	△	△	△	△	△	△	△
EN 4 81100002	EN 3 81100001	△	△	△	△	△	△	△	△	△	△	△	△	△	△	△	△	△

with hold-open 90°

EN 2 81225002	EN 2 81225001	△	△	△	△	△	△	△	△	△	△	△	△	△	△	△	△	△
EN 3 81210002	EN 3 81210001	△	△	△	△	△	△	△	△	△	△	△	△	△	△	△	△	△
EN 4 81200002	EN 4 81200001	△	△	△	△	△	△	△	△	△	△	△	△	△	△	△	△	△

△ Accessory

Specification text

Floor spring for double action doors, with hydraulic fully controlled closing from approx. 130°; including cement box and removeable spindle insert.

Models

- Standard
- Hold-open 90°

Size

- EN 2
- EN 3
- EN 4

Accessories

- Universal cover plate
 - Stainless steel
 - Satin brass
- Extended spindle insert, ... mm extended
- Sealing compound

Make: dormakaba BTS 84



Our Sustainability Commitment

We are committed to foster a sustainable development along our entire value chain in line with our economic, environmental and social responsibilities toward current and future generations.

Sustainability at product level is an important, future-oriented approach in the field of construction. In order to give quantified disclosures of a product's environmental impacts through its entire life cycle, dormakaba provides Environmental Product Declarations (EPD), based on holistic life cycle assessments.

The full EPD is available for download at www.dormakaba.com.



**Door
Hardware**



**Electronic
Access & Data**



**Mechanical
Key Systems**



Lodging Systems



**Entrance
Systems**



**Interior Glass
Systems**



Safe Locks



Service

dormakaba
International Holding AG
Hofwisenstrasse 24
CH-8153 Rümlang
T +41 44 818 90 11
info@dormakaba.com
www.dormakaba.com